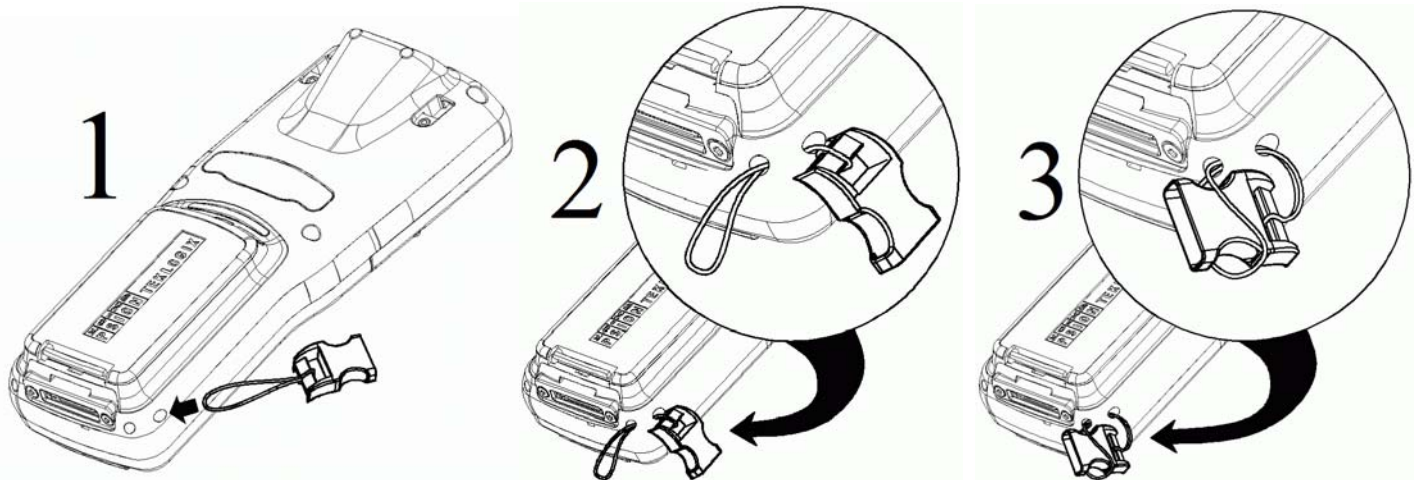
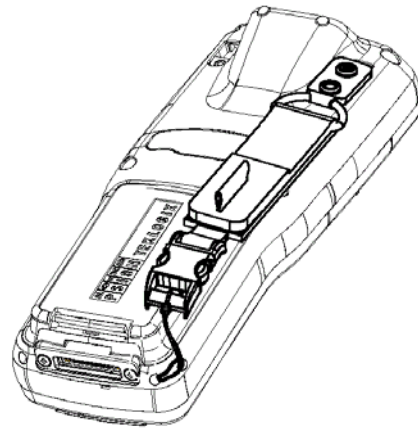
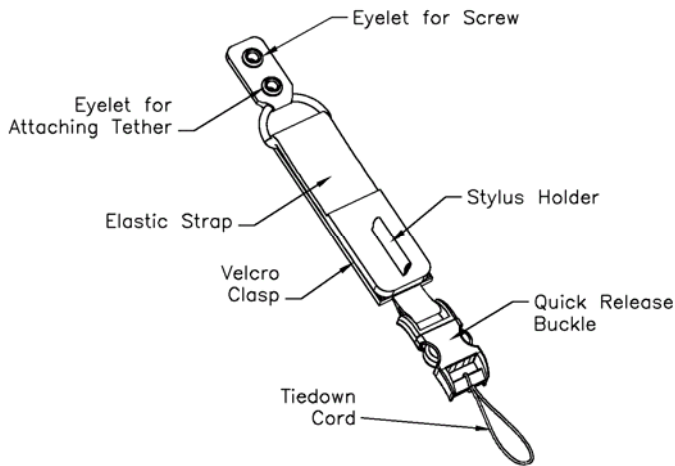


# Installation Instruction for Neo Handstrap

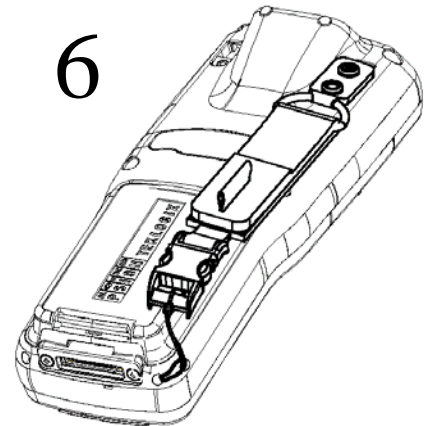
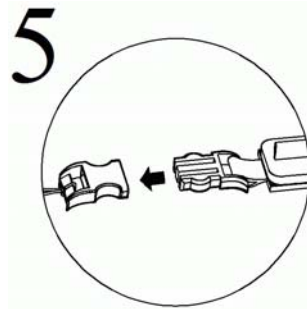
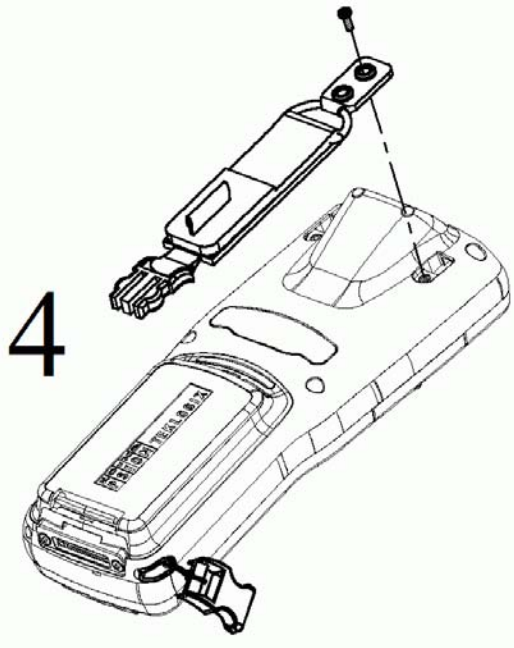
## A. Handstrap Installation

1. Assemble Handstrap to Neo handheld by threading Tiedown cord through opening on unit.
2. Pass Tiedown cord completely through opening.
3. Guide Quick Release Buckle through Tiedown loop, tying cord and securing to unit.



## Handstrap Installation Continued...

4. Assemble screw through handstrap eyelet into metal insert on Neo unit.
5. Connect Quick Release Buckle at bottom of handstrap.
6. Adjust handstrap by pulling up Velcro Clasp and readjusting to your hand size as needed.



### COMPANY HEADQUARTERS AND CANADIAN SERVICE CENTRE

PSION  
2100 Meadowvale Boulevard, Mississauga  
Ontario, Canada L5N 7J9  
Tel: +1 905 813 9900  
Fax: +1 905 812 6300  
E-mail: [salescdn@psion.com](mailto:salescdn@psion.com)  
[www.pSION.com](http://www.pSION.com)  
[www.ingenuityworking.com](http://www.ingenuityworking.com)