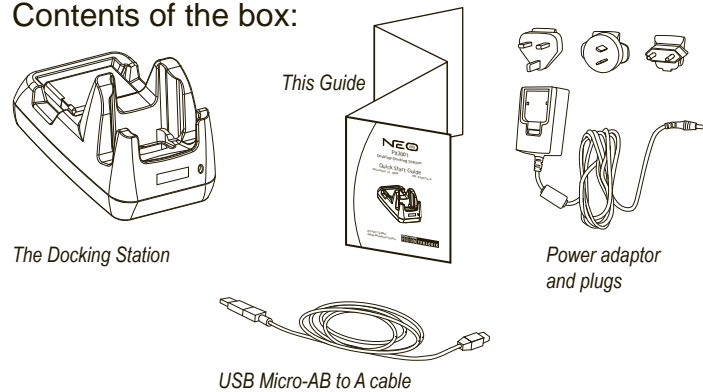
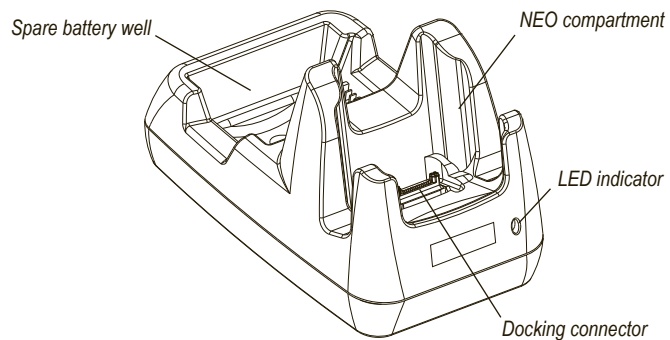


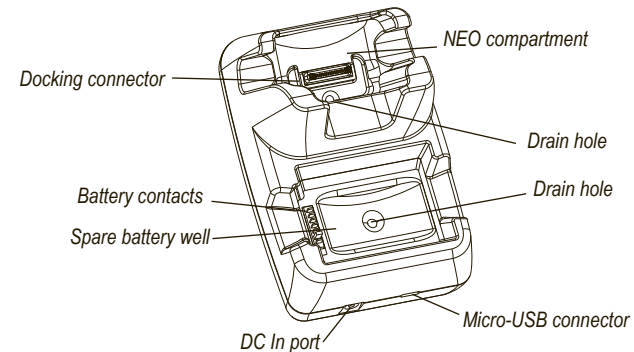
## Contents of the box:



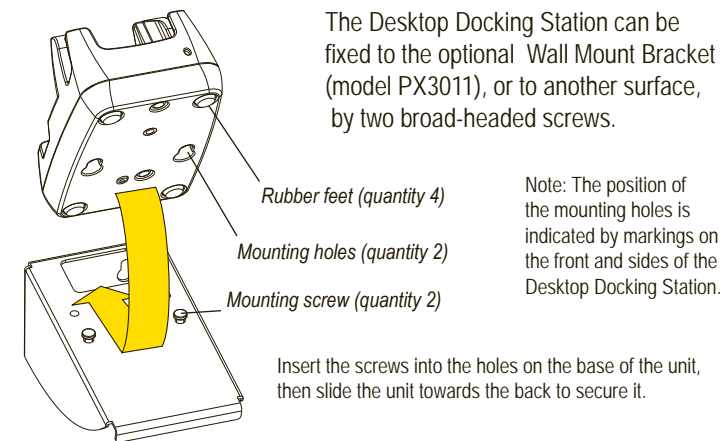
## Features: Front



## Features: Back, Ports, And Battery Charge Well

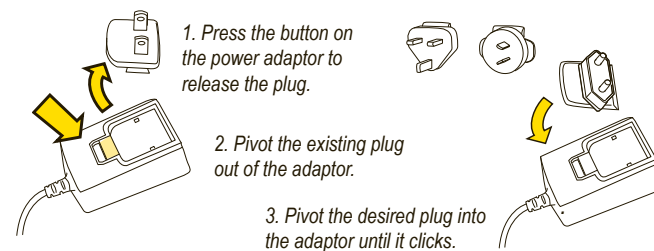


## Mounting The Desktop Docking Station

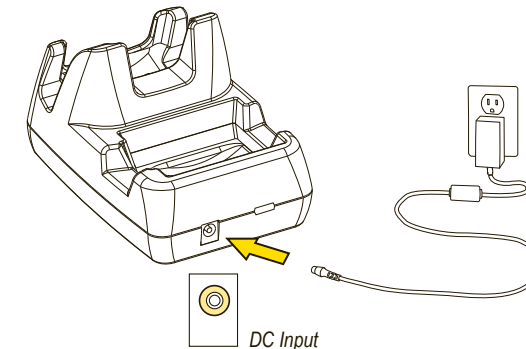


## Getting Started

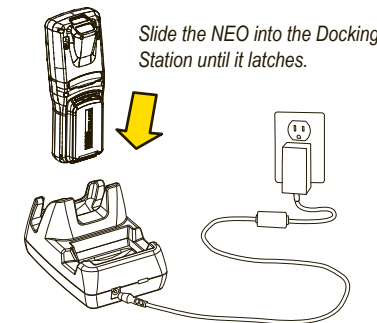
**1** Choose a plug for the universal power adaptor. The adaptor may already be fitted with the plug you need.



**2** Connect the Docking Station to external power.

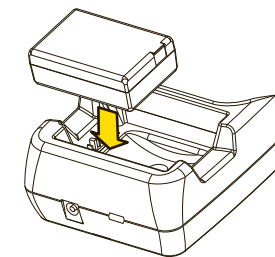


**3** Insert the NEO to charge its battery.



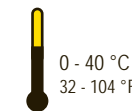
Note: Use only the universal AC power supply approved by Psion Teklogix for use with the Docking Station.

**4** Insert the spare battery.



Note: During charge, the LED indicator on the NEO is YELLOW until charging reaches 75%. Between 75% and 95% the indicator flashes GREEN slowly, and, above 95%, the indicator is GREEN continuously. The LED indicator on the Docking Station behaves the same when a spare battery is being charged.

Allow the NEO and the spare battery to charge for three hours before first use.



0 - 40 °C  
32 - 104 °F



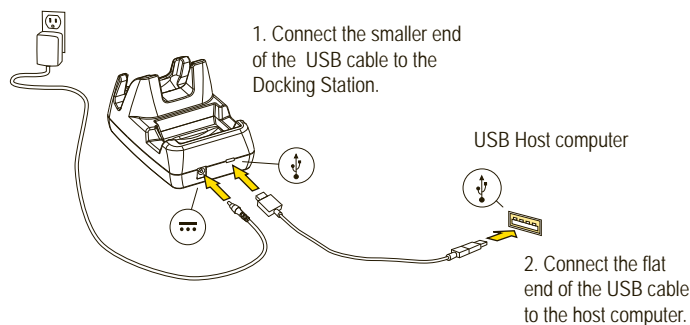
3 h

Note: Full battery performance is only reached after the first few charge/discharge cycles.

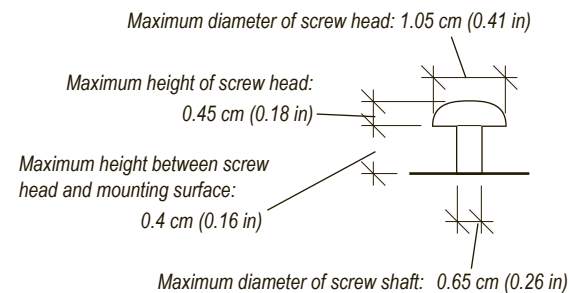
Over

## To connect the Docking Station to a host computer:

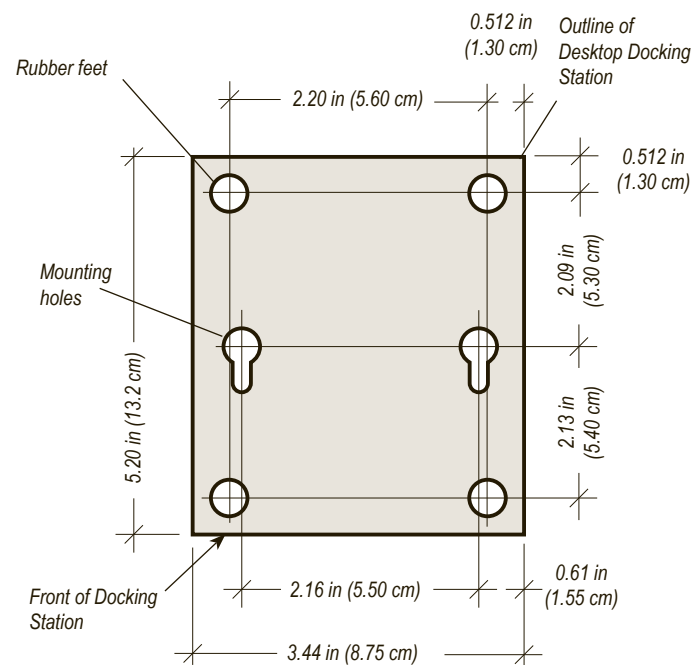
The NEO in the Docking Station acts as a USB Client.



## Dimensions Of Mounting Screws



## Location Guide For Mounting Screws



The mounting screws are M4 x 6mm panhead screws.

Psion Teklogix and NEO are trademarks of Psion Teklogix Inc. Other product names mentioned in this document are trademarks or registered trademarks of other hardware, software, or service providers and are used herein for identification purposes only.



8100176

Rev. A

# NEO™

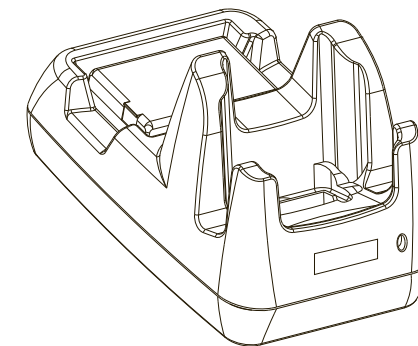
## PX3001

### Desktop Docking Station

## Quick Start Guide

November 14, 2008

PN: 8100176.A



ISO 9001 Certified  
Quality Management System

PSION TEKLOGIX