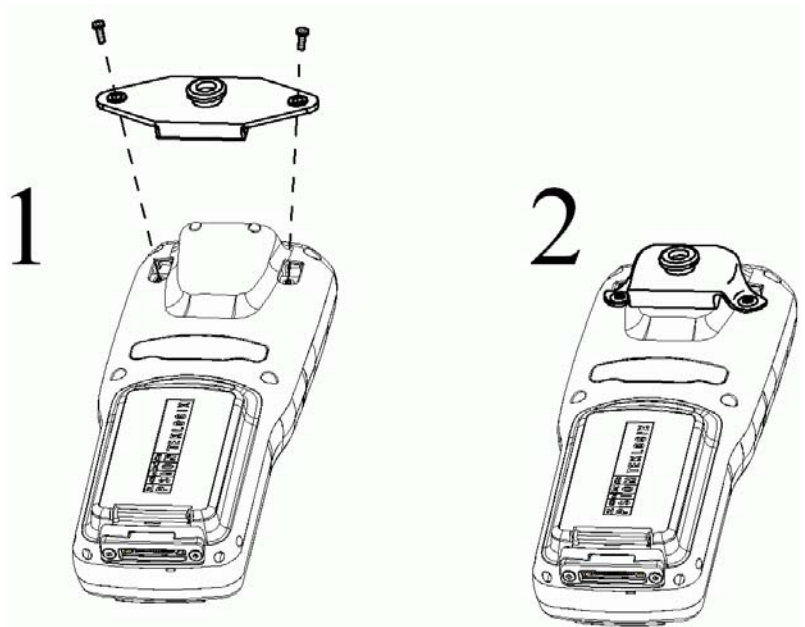
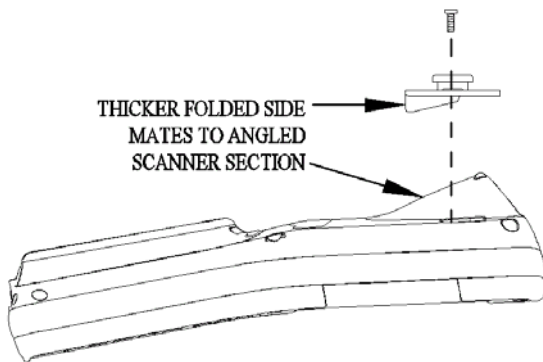
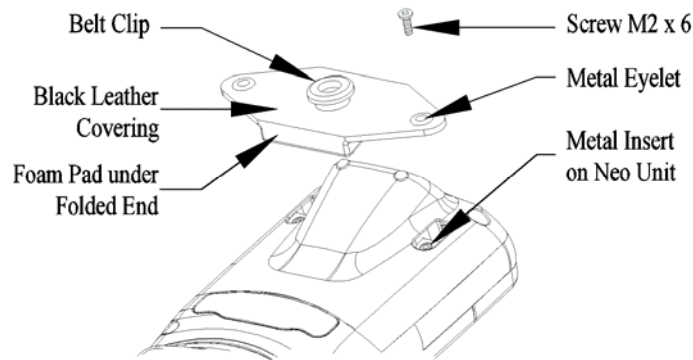


# Installation Instruction for Neo Belt Clip

## A. Belt Clip Installation

1. Assemble Belt Clip to Neo handheld by threading screw through eyelet into metal insert on Neo unit.



### COMPANY HEADQUARTERS AND CANADIAN SERVICE CENTRE

PSION  
 2100 Meadowvale Boulevard, Mississauga  
 Ontario, Canada L5N 7J9  
 Tel: +1 905 813 9900  
 Fax: +1 905 812 6300  
 E-mail: [salescdn@psion.com](mailto:salescdn@psion.com)  
[www.pSION.com](http://www.pSION.com)  
[www.ingenuityworking.com](http://www.ingenuityworking.com)