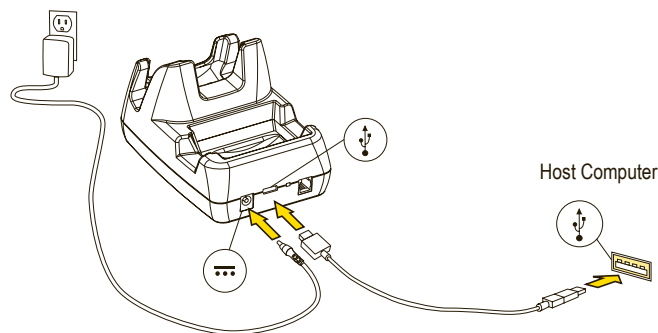


## The Micro-USB Port

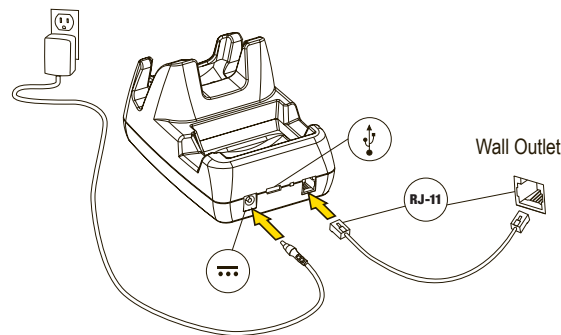
The NEO Cradle Modem can act as a USB Client.



- 1** Make certain the switch at the back of the cradle is positioned to the left to activate the USB port.
- 2** Insert the smaller end of the USB cable in the micro-USB port.
- 3** Insert the standard-sized end of the USB cable into the host computer.

## The Dial-up Modem Port

The NEO Cradle Modem can act as a Modem.



- 1** Make certain the switch at the back of the cradle is positioned to the right to activate the modem port.
- 2** Insert the RJ-11 cable into the modem port.
- 3** Insert the opposite end of the RJ-11 cable into a wall outlet.

*Note:* Do not connect to a digital phone line as this may damage the modem.

Psion Teklogix and NEO are trademarks of Psion Teklogix Inc. Other product names mentioned in this document are trademarks or registered trademarks of other hardware, software, or service providers and are used herein for identification purposes only.



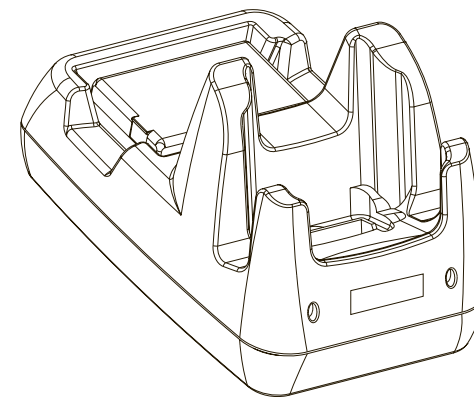
8100193  
Rev. A

# NEO™

## PX3008 Cradle Modem

## Quick Start Guide

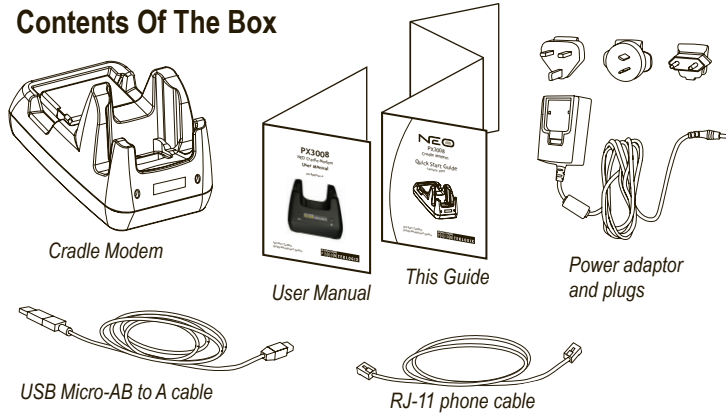
January, 2010



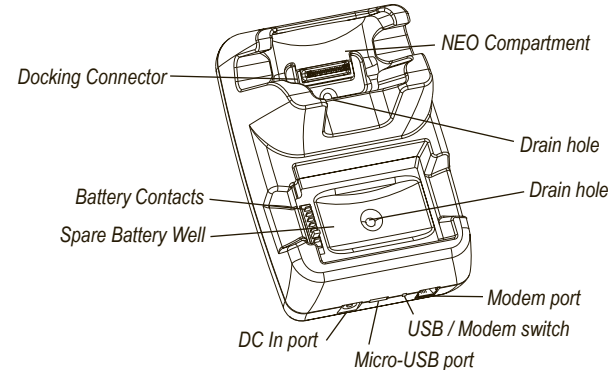
ISO 9001 Certified  
Quality Management System



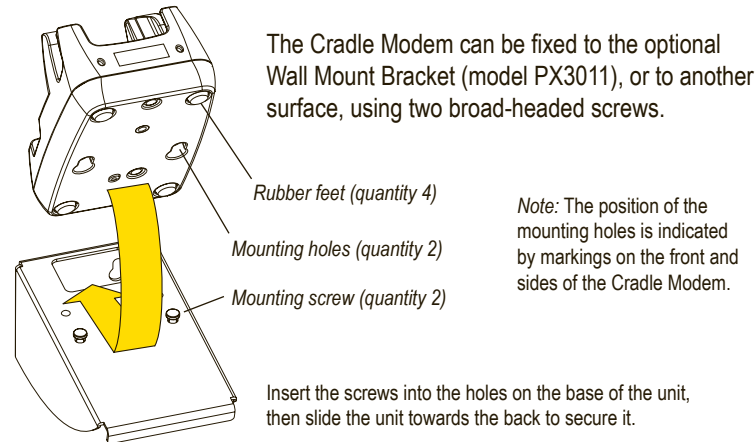
## Contents Of The Box



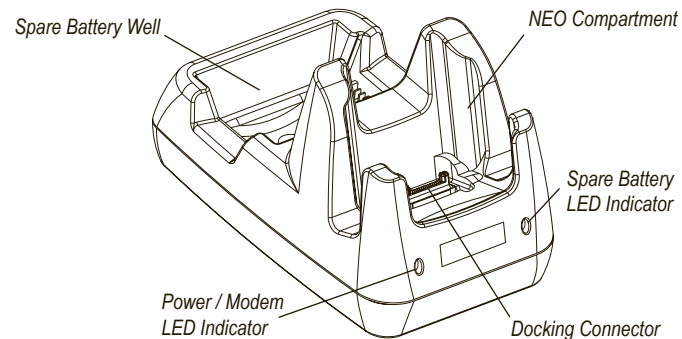
## Features: Back, Ports, And Battery Charge Well



## Mounting The Cradle Modem

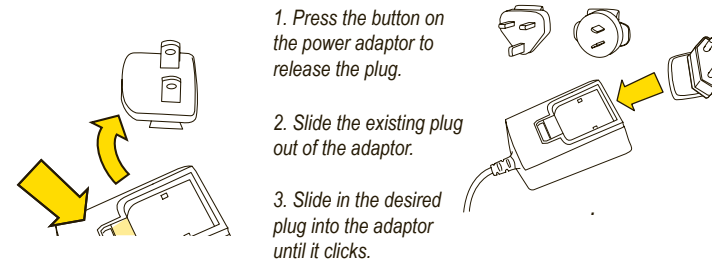


## Features: Front

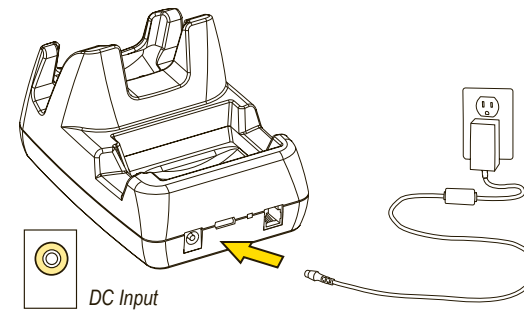


## Getting Started

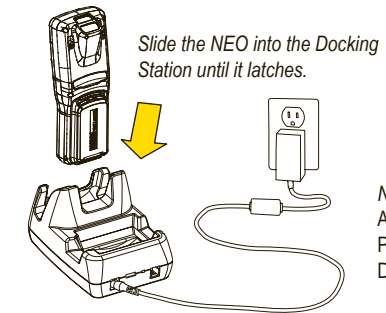
- 1 Choose a Plug for the Universal Power Adaptor.**  
The adaptor may already be fitted with the plug you need.



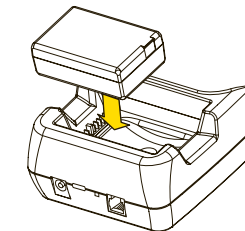
- 2 Connect the Cradle Modem to External Power.**



- 3 Insert the NEO to Charge its Battery.**

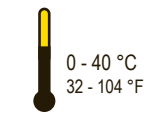


- 4 Insert the Spare Battery.**



Note: During charge, the LED indicator on the NEO is YELLOW until charging reaches 75%. Between 75% and 95% the indicator flashes GREEN slowly, and, above 95%, the indicator is GREEN continuously. The LED indicator on the Docking Station behaves the same when a spare battery is being charged.

Allow the NEO and the spare battery to charge for three hours before first use.



Note: Full battery performance is only reached after the first few charge/discharge cycles.

Over →