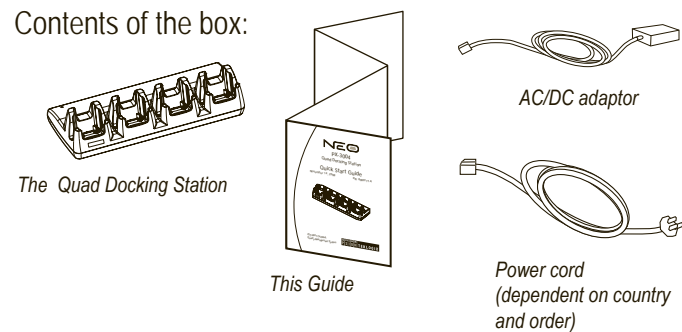
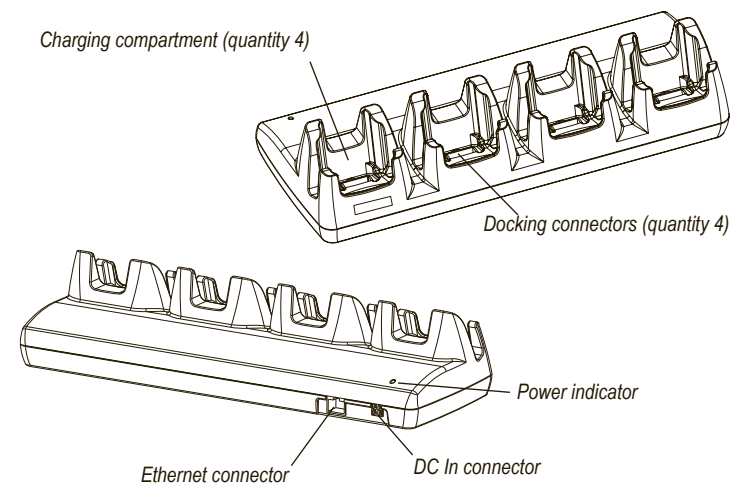


Contents of the box:

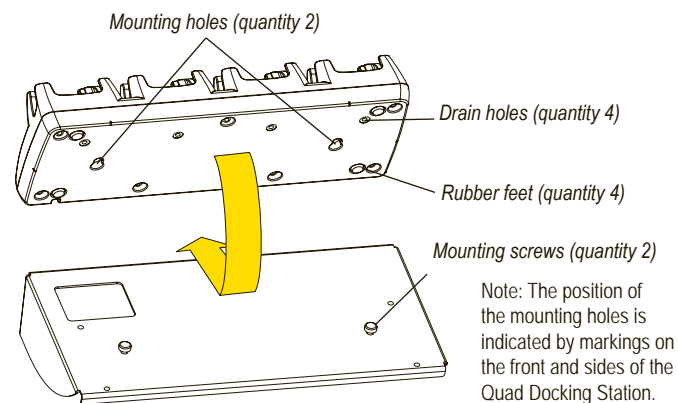


Features: Front, Back, And Ports



Mounting The Quad Docking Station

The Quad Docking Station can be fixed to the optional Wall Mount Bracket (model PX3014), or to another surface, by two broad-headed screws.

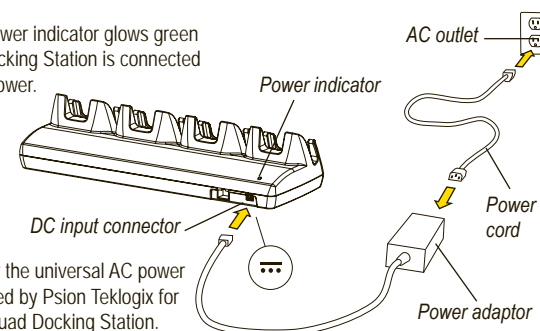


Insert the screws into the holes on the base of the unit, then slide the unit towards the back to secure it.

Getting Started

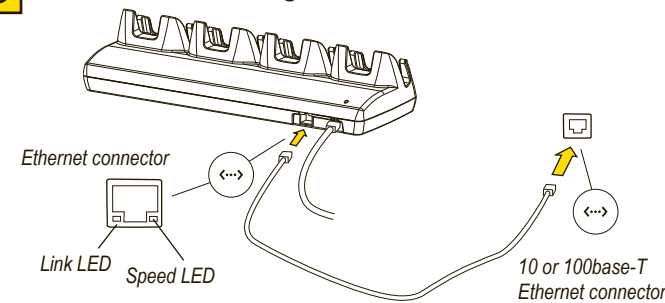
- 1 Mount the Quad Docking Station.
- 2 Connect the Docking Station to external power.

Note: The power indicator glows green when the Docking Station is connected to external power.

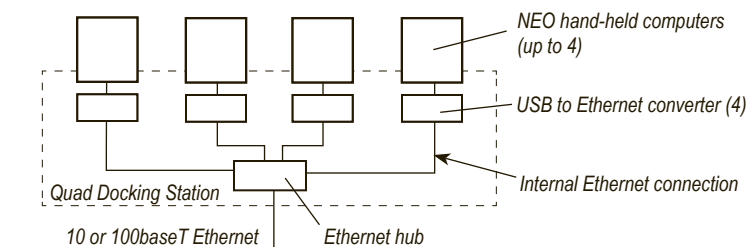


Note: Use only the universal AC power supply approved by Psion Teklogix for use with the Quad Docking Station.

- 3 Connect the Docking Station to an Ethernet network.



The Ethernet connection in the Quad Docking Station

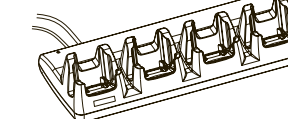


- 4 Insert one or more NEO hand-held computers.

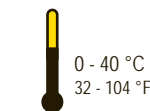
Slide NEO into the Docking Station until it latches.



Note: During charge, the LED indicator on NEO is YELLOW until charging reaches 75%. Between 75% and 95% the indicator flashes GREEN slowly, and, above 95%, the indicator is GREEN continuously.



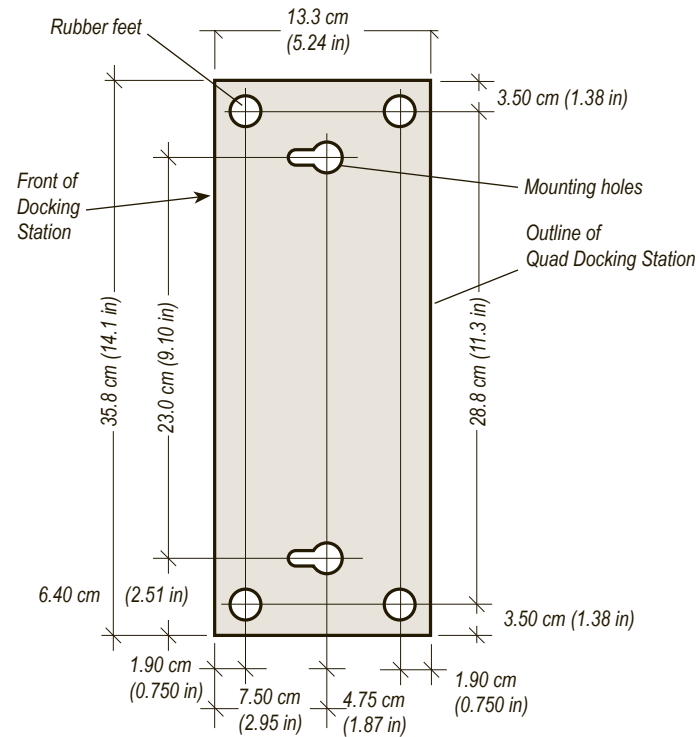
Allow the NEO computers to charge for three hours before first use.



Note: Full battery performance is only reached after the first few charge/discharge cycles.

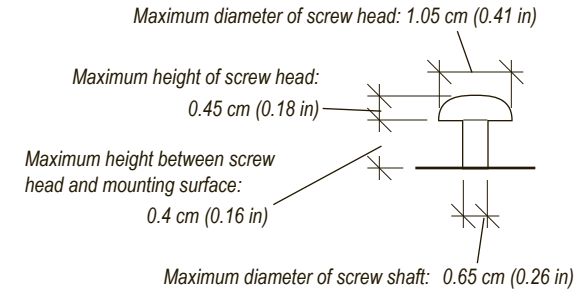
Over

Location Guide For Mounting Screws



The mounting screws on the shelf are M4 x 6mm panhead screws.

Dimensions Of Mounting Screws



Psion Teklogix and NEO are trademarks of Psion Teklogix Inc. Other product names mentioned in this document are trademarks or registered trademarks of other hardware, software, or service providers and are used herein for identification purposes only.



NEO™

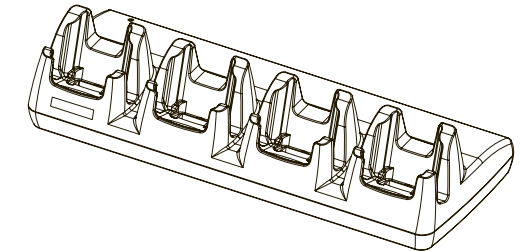
PX3004

Quad Docking Station

Quick Start Guide

November 14, 2008

PN: 8000177.A



ISO 9001 Certified
Quality Management System

